



Bartscher AG  
Industrie Fänn Ost  
Zugerstrasse 60  
CH-6403 Küssnacht am Rigi

Tel.: 041 785 50 00  
Fax: 041 785 50 05  
info@bartscher.ch  
www.bartscher.ch

# Bedienungsanleitung Mode d'emploi

---

114.230 (TPT-230R-4)

www.hatcocorp.com

Register Online!  
(see page 2)

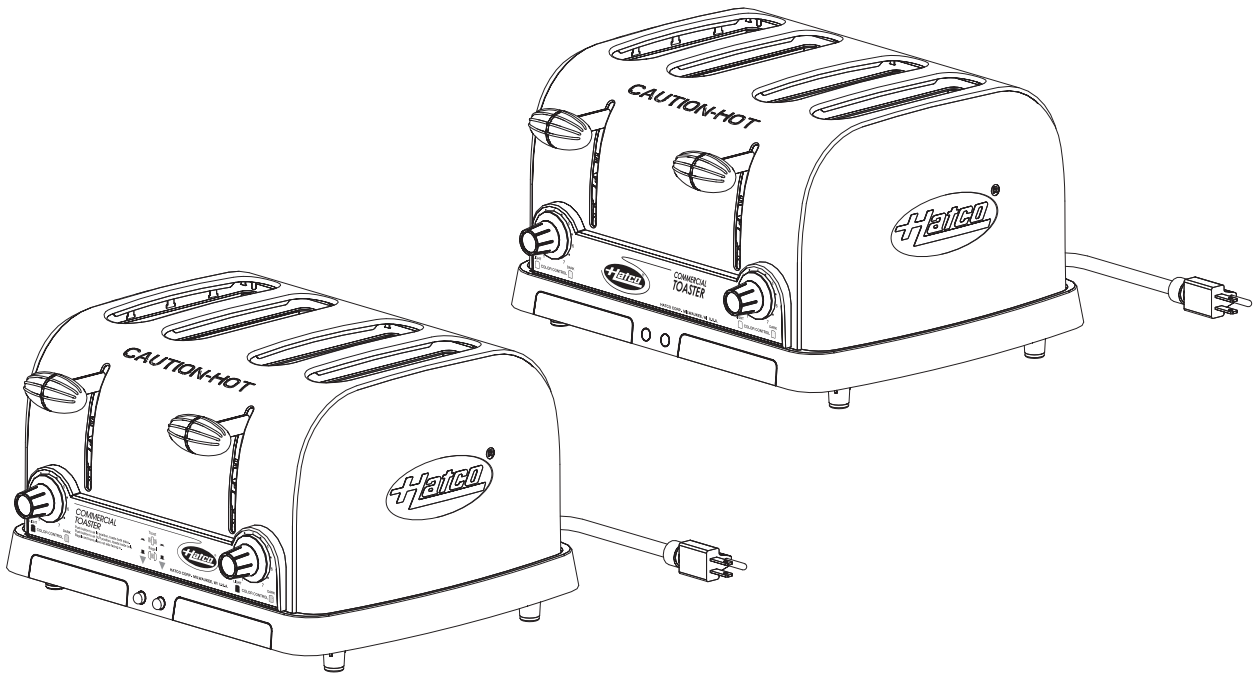


# Pop-Up Toaster

## TPT Series

### Installation and Operating Manual

P/N 07.04.401.00



#### **⚠ WARNING**

Do not operate this equipment unless you have read and understood the contents of this manual! Failure to follow the instructions contained in this manual may result in serious injury or death. This manual contains important safety information concerning the maintenance, use, and operation of this product. If you're unable to understand the contents of this manual, please bring it to the attention of your supervisor. Keep this manual in a safe location for future reference.

#### **⚠ ADVERTENCIA**

No opere este equipo al menos que haya leído y comprendido el contenido de este manual! Cualquier falla en el seguimiento de las instrucciones contenidas en este manual puede resultar en un serio lesión o muerte. Este manual contiene importante información sobre seguridad concerniente al mantenimiento, uso y operación de este producto. Si usted no puede entender el contenido de este manual por favor pregunte a su supervisor. Almacenar este manual en una localización segura para la referencia futura.

#### **⚠ AVERTISSEMENT**

Ne pas utiliser cet équipement sans avoir lu et compris le contenu de ce manuel ! Le non-respect des instructions contenues dans ce manuel peut entraîner de graves blessures ou la mort. Ce manuel contient des informations importantes concernant l'entretien, l'utilisation et le fonctionnement de ce produit. Si vous ne comprenez pas le contenu de ce manuel, veuillez le signaler à votre supérieur. Conservez ce manuel dans un endroit sûr pour pouvoir vous y référer plus tard.

# CONTENTS

<b>Important Owner Information</b> .....	2	<b>Operation</b> .....	7
<b>Introduction</b> .....	2	General .....	7
<b>Important Safety Information</b> .....	3	<b>Maintenance</b> .....	8
<b>Model Description</b> .....	4	General .....	8
<b>Specifications</b> .....	5	Cleaning .....	8
Plug Configurations .....	5	<b>Troubleshooting Guide</b> .....	9
Electrical Rating Chart .....	5	<b>Hatco Limited Warranty</b> .....	10
Dimensions .....	5	<b>Service Information</b> .....	10
<b>Installation</b> .....	6	<b>Authorized Parts Distributors</b> .....	Back Cover
General .....	6		

## IMPORTANT OWNER INFORMATION

Record the model number, serial number, voltage, and purchase date of the unit in the spaces below (specification label located on the bottom of the unit). Please have this information available when calling Hatco for service assistance.

Model No. \_\_\_\_\_

Serial No. \_\_\_\_\_

Voltage \_\_\_\_\_

Date of Purchase \_\_\_\_\_

### Register your unit!

Completing online warranty registration will prevent delay in obtaining warranty coverage. Access the Hatco website at [www.hatcocorp.com](http://www.hatcocorp.com), select the *Parts & Service* pull-down menu, and click on "Warranty Registration".

Business Hours: 8:00 AM to 5:00 PM  
 Central Standard Time (CST)  
 (Summer Hours: June to September –  
 8:00 AM to 5:00 PM CST Monday through Thursday  
 8:00 AM to 2:30 PM CST Friday)

Telephone: (800) 558-0607; (414) 671-6350

E-mail: [partsandservice@hatcocorp.com](mailto:partsandservice@hatcocorp.com)

Fax: (800) 690-2966 (Parts and Service)  
 (414) 671-3976 (International)



24 Hour 7 Day Parts and Service Assistance available in the United States and Canada by calling (800) 558-0607.

Additional information can be found by visiting our web site at [www.hatcocorp.com](http://www.hatcocorp.com).

## INTRODUCTION

The Hatco Pop-Up Toaster is perfect for self-serve buffet areas, lighter volume restaurants, diners, and cafes. The unit evenly toasts a variety of bread products including bagels, texas toast, waffles, and english muffins. The Pop-Up Toaster makes a great addition to your conveyor toaster for those non-peak periods when an occasional order of toast is needed.

The Pop-Up Toaster features a durable stainless steel housing, four self-centering extra-wide slots, individual toasting controls, removable crumb trays for easy cleaning, and a 6' (1829 mm) cord with plug.

The Hatco Pop-Up Toaster is a product of extensive research and field testing. The materials used were selected for maximum durability, attractive appearance, and optimum performance. Every unit is inspected and tested thoroughly prior to shipment.

This manual provides the installation, safety, and operating instructions for the Hatco Pop-Up Toaster. Hatco recommends all installation, operating, and safety instructions appearing in this manual be read prior to installation or operation of the unit.

Safety information that appears in this manual is identified by the following signal word panels:



**WARNING** indicates a hazardous situation which, if not avoided, could result in death or serious injury.



**CAUTION** indicates a hazardous situation which, if not avoided, could result in minor or moderate injury.



**NOTICE** is used to address practices not related to personal injury.

# IMPORTANT SAFETY INFORMATION



Read the following important safety information before using this equipment to avoid serious injury or death and to avoid damage to equipment or property.



## WARNING

### ELECTRIC SHOCK HAZARD:

- Plug unit into a properly grounded electrical receptacle of correct voltage, size, and plug configuration. If plug and receptacle do not match, contact a qualified electrician to determine and install proper voltage and size electrical receptacle.
- Unplug power cord and allow unit to cool before performing maintenance, cleaning, or attempting to clear a jam.
- DO NOT submerge or saturate with water. Unit is not waterproof. Do not operate if unit has been submerged or saturated with water.
- Unit is not weatherproof. Locate unit indoors where the ambient air temperature is a minimum of 70°F (21°C).
- Do not pull unit by power cord.
- Discontinue use if power cord is frayed or worn.
- Do not attempt to repair or replace a damaged power cord. Cord must be replaced by Hatco, an Authorized Hatco Service Agent, or a person with similar qualifications.
- Do not steam clean or use excessive water on unit.
- This unit is not “jet-proof” construction. Do not use jet-clean spray to clean unit.
- NEVER insert a knife, fork, or similar object into toasting chamber.
- Do not pick up toaster by inserting fingers into toaster slots and grasping heating elements.
- Do not clean unit when it is energized or hot.
- Do not allow liquids to spill into unit.
- Unit must be serviced by qualified personnel only. Service by unqualified personnel may lead to electric shock or burn.

### FIRE HAZARD:

- Locate unit a minimum of 1” (25 mm) from combustible walls and materials. If safe distances are not maintained, combustion or discoloration could occur.
- Do not place anything on top of toaster. Do not place toaster near or underneath curtains or other combustible materials. Items near or on top of toaster could catch fire causing injury and/or damage to toaster.

**EXPLOSION HAZARD:** Do not store or use gasoline or other flammable vapors or liquids in the vicinity of this or any other appliance.



## WARNING

In case of fire, disconnect toaster from power source immediately. This allows unit to cool, making it easier and safer to put out the fire.

Make sure all operators have been instructed on the safe and proper use of the unit.

This unit is not intended for use by children or persons with reduced physical, sensory, or mental capabilities. Ensure proper supervision of children and keep them away from unit.

This unit has no “user-serviceable” parts. If service is required on this unit, contact an Authorized Hatco Service Agent or contact the Hatco Service Department at 800-558-0607 or 414-671-6350; fax 800-690-2966; or International fax 414-671-3976.



## CAUTION

### BURN HAZARD:

- Some exterior surfaces on unit will get hot. Use caution when touching these areas.
- Do not remove crumb trays for cleaning until toaster is cool.

Locate unit at proper counter height in an area that is convenient for use. Location should be level to prevent unit or its contents from falling accidentally and strong enough to support weight of unit and contents.

Always operate toaster with crumb trays installed.

Toasting of coated or buttered products such as garlic bread, cheese sandwiches, and sweet rolls is NOT recommended. Residue will reduce toaster performance and could ignite inside toaster. Using toaster with food products listed above will void unit warranty.

## NOTICE

Do not lay unit on the side with the control panel or damage to the unit could occur.

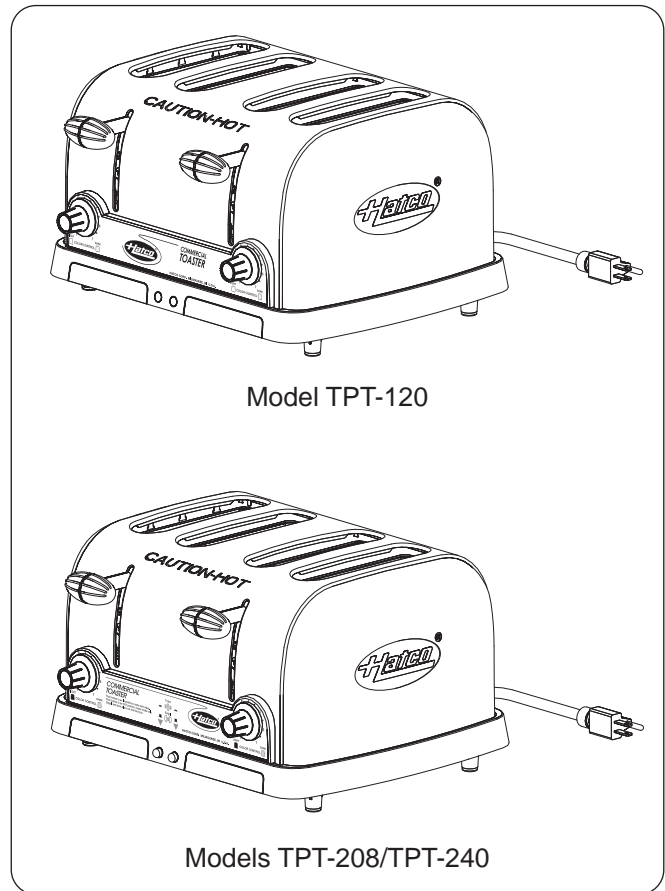
Use non-abrasive cleaners and cloths only. Abrasive cleaners and cloths could scratch finish of unit, marring its appearance and making it susceptible to soil accumulation.

This unit is intended for commercial use only — NOT for household use.

# MODEL DESCRIPTION

## All Models

Hatco Pop-Up Toasters are perfect for buffet areas and lighter volume restaurants. The TPT series toasters have four self-centering, extra wide slots with individual progressive toasting controls. Models TPT-208 and TPT-240 are equipped with bagel/bun buttons for one-sided toasting. The durable stainless steel housing contains removable crumb trays for easy cleaning.



TPT Series Pop-Up Toasters

# SPECIFICATIONS

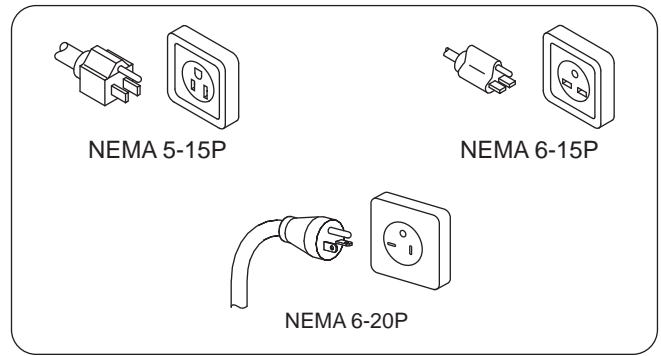
## Plug Configurations

Units are supplied from the factory with an electrical cord and plug installed. Plugs are supplied according to the application.



**ELECTRIC SHOCK HAZARD:** Plug unit into a properly grounded electrical receptacle of correct voltage, size, and plug configuration. If plug and receptacle do not match, contact a qualified electrician to determine and install proper voltage and size electrical receptacle.

*NOTE:* Specification label located on the bottom of the unit. See label for serial number and verification of unit electrical information.



Plug Configurations

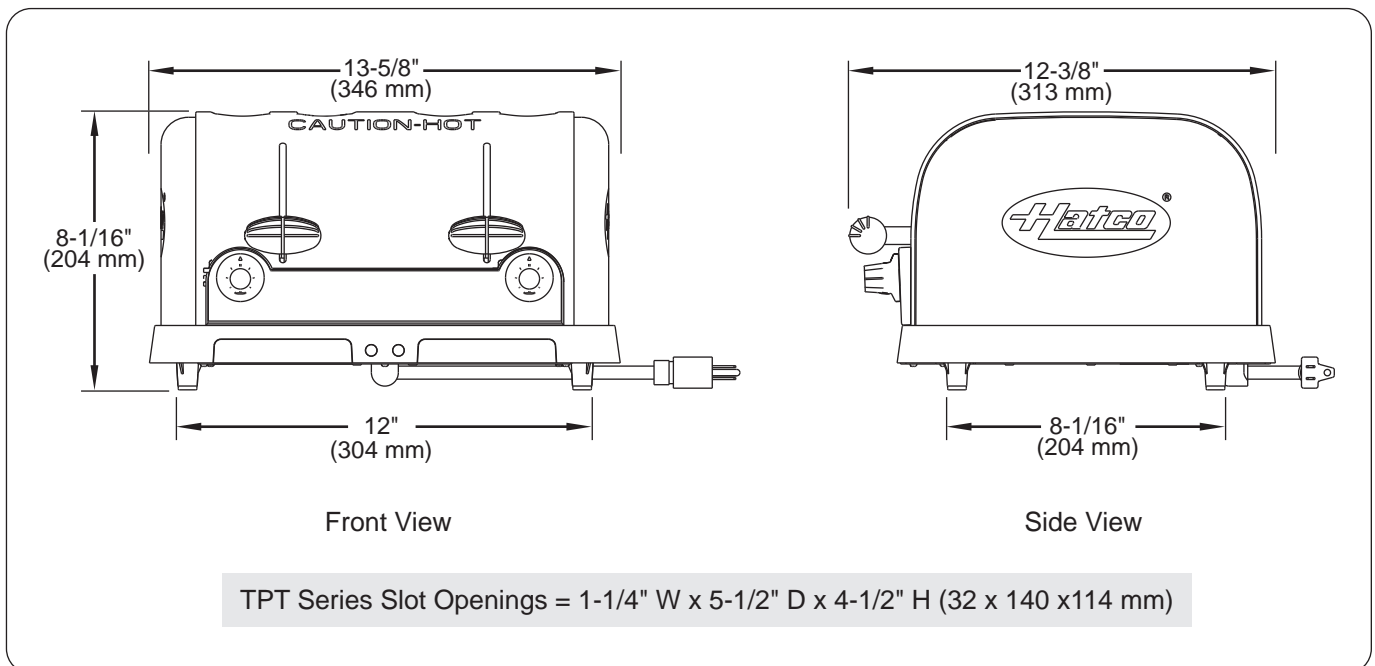
*NOTE:* Receptacle not supplied by Hatco.

## Electrical Rating Chart

Model	Voltage	Watts	Amps	Plug Configuration	Shipping Weight
TPT-120 (US)	120	1800	15.0	NEMA 5-15P	15 lbs. (7 kg)
TPT-120 (CAN)	120	1440	12.0	NEMA 5-15P	15 lbs. (7 kg)
TPT-208	208	2600	12.5	NEMA 6-15P*	15 lbs. (7 kg)
TPT-240	240	2600	10.9	NEMA 6-15P	15 lbs. (7 kg)

\* NEMA 6-20P for Canada.

## Dimensions—TPT Series



# INSTALLATION

## General

The Pop-Up Toaster is shipped with all components pre-assembled. Care should be taken when unpacking the shipping carton to avoid damage to the unit and the components enclosed.



**ELECTRIC SHOCK HAZARD: Unit is not weatherproof. Locate unit indoors where ambient air temperature is a minimum of 70°F (21°C).**

**EXPLOSION HAZARD: Do not store or use gasoline or other flammable vapors or liquids in the vicinity of this or any other appliance.**

### FIRE HAZARD:

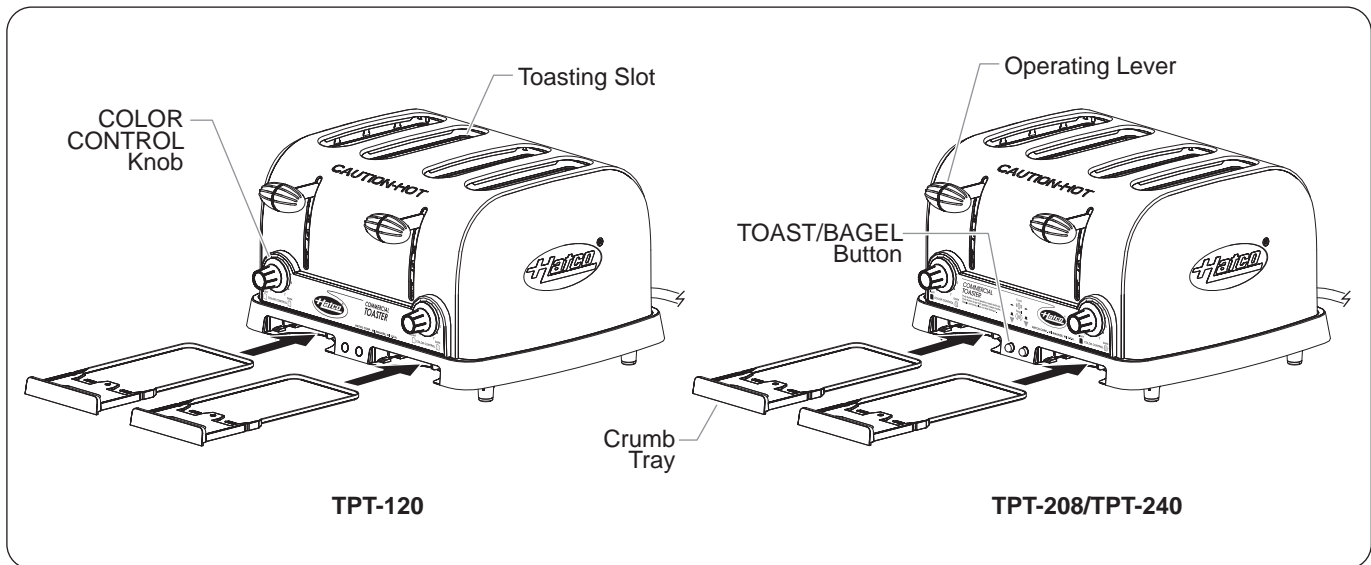
- Locate unit a minimum of 1" (25 mm) from combustible walls and materials. If safe distances are not maintained, combustion or discoloration could occur.
- Do not place anything on top of toaster. Do not place toaster near or underneath curtains or other combustible materials. Items near or on top of toaster could catch fire causing injury and/or damage to toaster.

*NOTE: TPT Series toasters require a dedicated circuit.*

1. Remove the unit from the carton.

*NOTE: To prevent delay in obtaining warranty coverage, complete online warranty registration. See the IMPORTANT OWNER INFORMATION section for details.*

2. Remove tape and protective packaging from all surfaces of the unit.
3. Place the unit in the desired location.
  - Locate the unit in an area where the ambient air temperature is constant and a minimum of 70°F (21°C). Avoid areas that may be subject to active air movements or currents (i.e., near exhaust fans/hoods and air conditioning ducts).
  - Make sure the unit is at the proper counter height in an area convenient for use.
  - Make sure the countertop is level and strong enough to support the weight of the unit and food product.
  - Make sure all the feet on the bottom of the unit are positioned securely on the countertop.



Components

## General

The Pop-Up Toaster is designed for ease of operation. Perform the following procedure to operate the toaster.

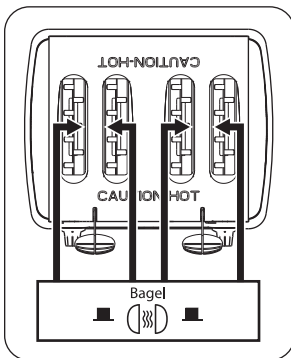
### **⚠ WARNING**

Read all safety messages in the **IMPORTANT SAFETY INFORMATION** section before operating this equipment.

1. Plug the unit into a properly grounded electrical receptacle of the correct voltage, size, and plug configuration. See the SPECIFICATIONS section for details.
2. Set the COLOR CONTROL knob(s) to the desired toast darkness setting. The "1" setting on the COLOR CONTROL knobs represents the lightest toast setting and the "7" setting represents the darkest.
3. For TPT-208 and TPT-240 toasters, make sure the TOAST/BAGEL button(s) is in the correct position. Push the TOAST/BAGEL button(s) to change its setting, if necessary.

- When the TOAST/BAGEL button(s) is in the TOAST position (depressed), both heating elements in each toasting slot will energize to toast both sides of the product.
- When the TOAST/BAGEL button(s) is in the BAGEL position (released), only the inner heating elements in each pair of toasting slots will energize to toast the inner side of the product.

4. Place bread product in toasting slot(s). If toasting only one side of the product, make sure to place the toasting side toward the center of each pair of toasting slots.



5. Push down on the operating lever(s) to lower product into the toaster.

- As soon as the operating lever is pushed down, the heating elements inside the toaster energize and begin heating.

### **⚠ CAUTION**

**BURN HAZARD: Some exterior surfaces on unit will get hot. Use caution when touching these areas.**

- When the toasting cycle is complete, the heating elements shut off and the operating lever(s) rises automatically.

*NOTE: The operating lever(s) can be lifted manually during toasting for product removal.*

### **⚠ WARNING**

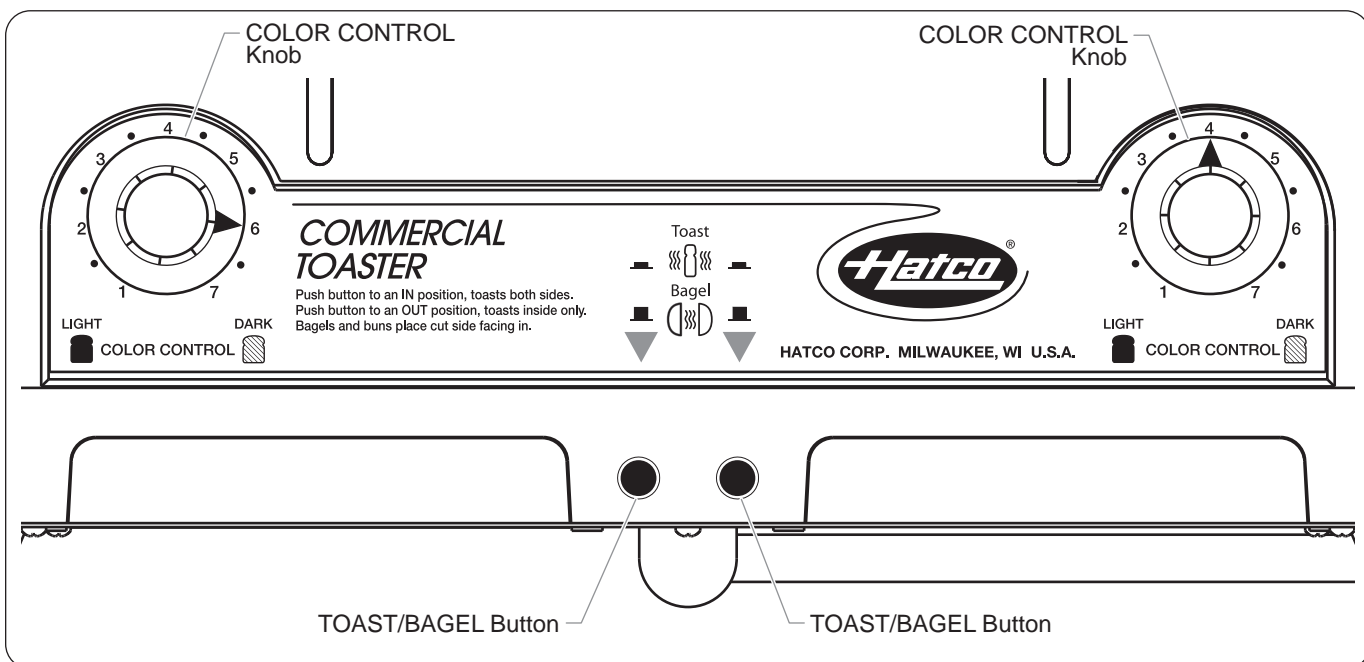
**ELECTRIC SHOCK HAZARD:**

- Unplug power cord and allow unit to cool before performing maintenance, cleaning, or attempting to clear a jam.
  - NEVER insert a knife, fork, or similar object into toasting chamber.
6. Remove and empty the crumb trays periodically in between toasting cycles.

### **⚠ CAUTION**

**Always operate toaster with crumb trays installed.**

**Toasting of coated or buttered products such as garlic bread, cheese sandwiches, and sweet rolls is NOT recommended. Residue will reduce toaster performance and could ignite inside toaster. Using toaster with food products listed above will void unit warranty.**



TPT-208 and TPT-240 Control Panel



# MAINTENANCE

---

## General

The Pop-Up Toaster is designed for maximum durability and performance with minimum maintenance.



### ELECTRIC SHOCK HAZARD:

- Unplug power cord and allow unit to cool before performing cleaning, adjustments, maintenance, or attempting to clear a jam.
- **DO NOT submerge or saturate with water. Unit is not waterproof. Do not operate if unit has been submerged or saturated with water.**
- This unit is not “jet-proof” construction. Do not use jet-clean spray to clean this unit.
- Do not steam clean or use excessive water on unit.
- Do not allow liquids to spill into unit.
- Unit must be serviced by qualified personnel only. Service by unqualified personnel may lead to electric shock or burn.

This unit has no “user-serviceable” parts. If service is required on this unit, contact an Authorized Hatco Service Agent or contact the Hatco Service Department at 800-558-0607 or 414-671-6350; fax 800-690-2966; or International fax 414-671-3976.

*NOTE: Submerging or saturating the unit with water will damage the unit and void the unit warranty.*

## Cleaning

To preserve the finish of the toaster, it is recommended that the metal surfaces be wiped daily with a non-abrasive, damp cloth.



### ELECTRIC SHOCK HAZARD: Do not clean unit when it is energized or hot.

1. Unplug the power cord and allow the unit to cool.
2. Remove and empty the crumb trays. **CAUTION! BURN HAZARD—Do not remove crumb trays for cleaning until toaster is cool.**
3. Wash the crumb trays with warm water and a mild detergent. Rinse with water.
4. Allow the crumb trays to air dry or hand dry with a soft cloth before placing back into the toaster.
5. Wipe the exterior surface of the toaster with a damp cloth. **NOTICE: Use non-abrasive cleaners and cloths only.**
6. Wipe dry with a clean, dry, non-abrasive cloth.

# TROUBLESHOOTING GUIDE



Unit must be serviced by qualified personnel only. Service by unqualified personnel may lead to electric shock or burn.



**ELECTRIC SHOCK HAZARD:** Unplug power cord and allow unit to cool before performing cleaning, adjustments, maintenance, or attempting to clear a jam.

Symptom	Probable Cause	Corrective Action
Toast too light.	COLOR CONTROL knob set on a light setting.	Turn COLOR CONTROL knob to a darker setting.
	Supply voltage to unit is low.	Verify the supply voltage to the toaster matches the unit specifications.
Toast too dark.	COLOR CONTROL knob set on a dark setting.	Turn COLOR CONTROL knob to a lighter setting.
	Supply voltage to unit is high.	Verify the supply voltage to the toaster matches the unit specifications.
Unit takes too long to toast.	The first few batches can take longer because the toaster needs time to heat up when initially turned on.	Push down the operation lever(s) for a toasting cycle before inserting bread product to allow the toaster to heat up.
	Supply voltage to unit is low.	Verify the supply voltage to the toaster matches the unit specifications.
Unit toasts on one side only.	TOAST/BAGEL button is in the BAGEL position (one-sided toasting).	Push the TOAST/BAGEL button to set it to the TOAST position (two-sided toasting).
	Heating element defective.	Visually check the heating element inside the toaster with the operation lever engaged. With the lever pushed down, the heating element should glow red. If the element does not glow, Contact Authorized Service Agent or Hatco for assistance.
Heating element does not come on at all when the operating lever is pushed down.	The switch may be broken.	Contact Hatco for assistance.
The operating lever does not latch.	Latch mechanism is broken.	Contact Hatco for assistance.
Toaster trips the circuit breaker or GFCI.	Circuit breaker is not sized properly for the toaster.  <i>NOTE: TPT Series toasters require a dedicated circuit.</i>	Check circuit breaker for proper sizing.
	Wiring fault inside toaster.	Contact Hatco for assistance.

# LIMITED WARRANTY

---

## 1. PRODUCT WARRANTY

Hatco warrants the products that it manufactures (the "Products") to be free from defects in materials and workmanship, under normal use and service, for a period of one (1) year from the date of purchase when installed and maintained in accordance with Hatco's written instructions or 18 months from the date of shipment from Hatco. Buyer must establish the Product's purchase date by registering the Product with Hatco or by other means satisfactory to Hatco in its sole discretion.

Hatco warrants the following Product components to be free from defects in materials and workmanship from the date of purchase (subject to the foregoing conditions) for the period(s) of time and on the conditions listed below:

**a) One (1) Year Parts and Labor PLUS One (1) Additional Year Parts-Only Warranty:**

Conveyor Toaster Elements (metal sheathed)  
Drawer Warmer Elements (metal sheathed)  
Drawer Warmer Drawer Rollers and Slides  
Strip Heater Elements (metal sheathed)  
Display Warmer Elements (metal sheathed air heating)  
Holding Cabinet Elements (metal sheathed air heating)  
Heated Well Elements — HWB Series (metal sheathed)

**b) One (1) Year Parts and Labor PLUS Four (4) Years Parts-Only Warranty:**

3CS and FR Tanks

**c) One (1) Year Parts and Labor PLUS Nine (9) Years Parts-Only Warranty on:**

Electric Booster Heater Tanks  
Gas Booster Heater Tanks

**d) Ninety (90) Day Parts-Only Warranty:**

Replacement Parts

THE FOREGOING WARRANTIES ARE EXCLUSIVE AND IN LIEU OF ANY OTHER WARRANTY, EXPRESSED OR IMPLIED, INCLUDING BUT NOT LIMITED TO ANY IMPLIED WARRANTY OF MERCHANTABILITY OR FITNESS FOR A PARTICULAR PURPOSE OR PATENT OR OTHER INTELLECTUAL PROPERTY RIGHT INFRINGEMENT. Without limiting the generality of the foregoing, SUCH WARRANTIES DO NOT COVER: Coated incandescent light bulbs, fluorescent lights, heat lamp bulbs, coated halogen light bulbs, halogen heat lamp bulbs, xenon light bulbs, LED light tubes, glass components, and fuses; Product failure in booster tank, fin tube heat exchanger, or other water heating equipment caused by liming, sediment buildup, chemical attack, or freezing; or Product misuse, tampering or misapplication, improper installation, or application of improper voltage.

## 2. LIMITATION OF REMEDIES AND DAMAGES

Hatco's liability and Buyer's exclusive remedy hereunder will be limited solely, at Hatco's option, to repair or replacement using new or refurbished parts or Product by Hatco or a Hatco-authorized service agency (other than where Buyer is located outside of the United States, Canada, United Kingdom, or Australia, in which case Hatco's liability and Buyer's exclusive remedy hereunder will be limited solely to replacement of part under warranty) with respect to any claim made within the applicable warranty period referred to above. Hatco reserves the right to accept or reject any such claim in whole or in part. In the context of this Limited Warranty, "refurbished" means a part or Product that has been returned to its original specifications by Hatco or a Hatco-authorized service agency. Hatco will not accept the return of any Product without prior written approval from Hatco, and all such approved returns shall be made at Buyer's sole expense. HATCO WILL NOT BE LIABLE, UNDER ANY CIRCUMSTANCES, FOR CONSEQUENTIAL OR INCIDENTAL DAMAGES, INCLUDING BUT NOT LIMITED TO LABOR COSTS OR LOST PROFITS RESULTING FROM THE USE OF OR INABILITY TO USE THE PRODUCTS OR FROM THE PRODUCTS BEING INCORPORATED IN OR BECOMING A COMPONENT OF ANY OTHER PRODUCT OR GOODS.

# SERVICE INFORMATION

---

## United States and Canada

The warranty on Hatco TPT Series toasters is for one year from date of purchase or eighteen months from date of shipping from Hatco, whichever occurs first.

### Warranty Problems

If you experience a problem with a TPT toaster during the warranty period, contact the **Hatco Parts and Service Team** at:

**Telephone: 1-800-558-0607 or 414-671-6350**

**Fax: 1-800-690-2966 or 414-671-3976**

When contacting Hatco for warranty service, please supply the following information:

- Model of unit
- Serial number (located on the bottom of the unit)
- Specific problem with the toaster
- Date of purchase
- Name of business
- Shipping address
- Contact name and phone number

## Non-Warranty Problems

If you experience a non-warranty problem that requires assistance, please contact the nearest Authorized Hatco Service Agency.

To locate the nearest Service Agency, log onto our website at **[www.hatcocorp.com](http://www.hatcocorp.com)** and click on Service Agency Locator, or contact the **Hatco Parts and Service Team** by phone.





# HATCO AUTHORIZED PARTS DISTRIBUTORS

## ALABAMA

Jones McLeod Appl. Svc.  
Birmingham 205-251-0159

## ARIZONA

Service Solutions Group  
Phoenix 602-234-2443

Byassee Equipment Co.  
Phoenix 602-252-0402

## CALIFORNIA

Industrial Electric  
Commercial Parts & Service, Inc.  
Huntington Beach 714-379-7100

Chapman Appl. Service  
San Diego 619-298-7106

P & D Appliance  
Commercial Parts & Service, Inc.  
S. San Francisco 650-635-1900

## COLORADO

Hawkins Commercial Appliance  
Englewood 303-781-5548

## FLORIDA

Whaley Foodservice Repair  
Jacksonville 904-725-7800

3Wire Nass Service Co., Inc.  
Orlando 407-425-2681

B.G.S.I.  
Pompano Beach 954-971-0456

Comm. Appliance Service  
Tampa 813-663-0313

## GEORGIA

TWC Services  
Mableton 770-438-9797

Heritage Service Group  
Norcross 866-388-9837

Southeastern Rest. Svc.  
Norcross 770-446-6177

## HAWAII

Burney's Comm. Service, Inc.  
Honolulu 808-848-1466

Food Equip Parts & Service  
Honolulu 808-847-4871

## ILLINOIS

Parts Town  
Lombard 708-865-7278

Eichenauer Elec. Service  
Decatur 217-429-4229

Midwest Elec. Appl. Service  
Elmhurst 630-279-8000

Cone's Repair Service  
Moline 309-797-5323

## INDIANA

GCS Service  
Indianapolis 317-545-9655

## IOWA

Electric Motor Service Co.  
Davenport 319-323-1823

Goodwin Tucker Group  
Des Moines 515-262-9308

## KENTUCKY

Service Solutions Group  
Lexington 859-254-8854

Service Solutions Group  
Louisville 502-451-5411

## LOUISIANA

Chandlers Parts & Service  
Baton Rouge 225-272-6620

## MARYLAND

Electric Motor Service  
Baltimore 410-467-8080

GCS Service  
Silver Spring 301-585-7550

## MASSACHUSETTS

Ace Service Co., Inc.  
Needham 781-449-4220

## MICHIGAN

Bildons Appliance Service  
Detroit 248-478-3320

Commercial Kitchen Service  
Bay City 517-893-4561

Midwest Food Equip. Service  
Grandville 616-261-2000

## MINNESOTA

GCS Service  
Plymouth 800-345-4221

## MISSOURI

General Parts  
Kansas City 816-421-5400

Commercial Kitchen Services  
St. Louis 314-890-0700

Kaemmerlen Parts & Service  
St. Louis 314-535-2222

## NEBRASKA

Anderson Electric  
Omaha 402-341-1414

## NEVADA

Burney's Commercial  
Las Vegas 702-736-0006

Hi. Tech Commercial Service  
N. Las Vegas 702-649-4616

## NEW JERSEY

Jay Hill Repair  
Fairfield 973-575-9145

Service Plus  
Flanders 973-691-6300

## NEW YORK

Acme American Repairs, Inc.  
Brooklyn 718-456-6544

Alpro Service Co.  
Brooklyn 718-386-2515

Appliance Installation  
Buffalo 716-884-7425

Duffy's Equipment Services, Inc.  
Buffalo 800-836-1014

3Wire Northern  
Plattsburgh 800-634-5005

Duffy's Equipment Services, Inc.  
Sauquoit 800-836-1014

J.B. Brady, Inc.  
Syracuse 315-422-9271

## NORTH CAROLINA

Authorized Appliance  
Charlotte 704-377-4501

## OHIO

Akron/Canton Comm. Svc. Inc.  
Akron 330-753-6635

Service Solutions Group  
Cincinnati 513-772-6600

Commercial Parts and Service  
Columbus 614-221-0057

Electrical Appl. Repair Service  
Brooklyn Heights 216-459-8700

E. A. Wichman Co.  
Toledo 419-385-9121

## OKLAHOMA

Hagar Rest. Service, Inc.  
Oklahoma City 405-235-2184

Krueger, Inc.  
Oklahoma City 405-528-8883

## OREGON

Ron's Service, Inc.  
Portland 503-624-0890

## PENNSYLVANIA

Elmer Schultz Services  
Philadelphia 215-627-5401

FAST Comm. Appl. Service  
Philadelphia 215-288-4800

Appliance Installation & Service  
Pittsburgh 412-809-0244

K & D Service Co.  
Harrisburg 717-236-9039

Electric Repair Co.  
Reading 610-376-5444

## RHODE ISLAND

Marshall Electric Co.  
Providence 401-331-1163

## SOUTH CAROLINA

Whaley Foodservice Repair  
W. Columbia 803-791-4420

## TENNESSEE

Camp Electric  
Memphis 901-527-7543

## TEXAS

GCS Service  
Fort Worth 800-433-1804

Armstrong Repair Service  
Houston 713-666-7100

Cooking Equipment Specialist  
Mesquite 888-866-9276

Refrigerated Specialist, Inc.  
Mesquite 888-866-9276

Commercial Kitchen Repair Co.  
San Antonio 210-735-2811

## UTAH

La Monica's Rest. Equip. Service  
Murray 801-263-3221

## VIRGINIA

Daubers  
Norfolk 757-855-4097

Daubers  
Springfield 703-866-3600

## WASHINGTON

3Wire Restaurant Appliance  
Seattle 800-207-3146

## WISCONSIN

A.S.C., Inc.  
Madison 608-246-3160

A.S.C., Inc.  
Milwaukee 414-543-6460

## CANADA

### ALBERTA

Key Food Equipment Service  
Edmonton 780-438-1690

### BRITISH COLUMBIA

Key Food Equipment Service  
Vancouver 604-433-4484

Key Food Equipment Service  
Victoria 250-920-4888

### MANITOBA

Air Rite, Inc.  
Winnipeg 204-895-2300

### NEW BRUNSWICK

EMR Services, Ltd.  
Moncton 506-855-4228

### ONTARIO

R.G. Henderson Ltd.  
Toronto 416-422-5580

Choquette - CKS, Inc.  
Ottawa 613-739-8458

### QUÉBEC

Choquette - CKS, Inc.  
Montreal 514-722-2000

Choquette - CKS, Inc.  
Québec City 418-681-3944

## UNITED KINGDOM

Marren Group  
Northants +44(0)1933 665313

### HATCO CORPORATION

P.O. Box 340500

Milwaukee, WI 53234-0500 U.S.A.

(800) 558-0607 (414) 671-6350

Parts and Service Fax (800) 690-2966

International Fax (414) 671-3976

partsandservice@hatcocorp.com

www.hatcocorp.com

**Register your unit online!**

See IMPORTANT OWNER INFORMATION  
section for details.